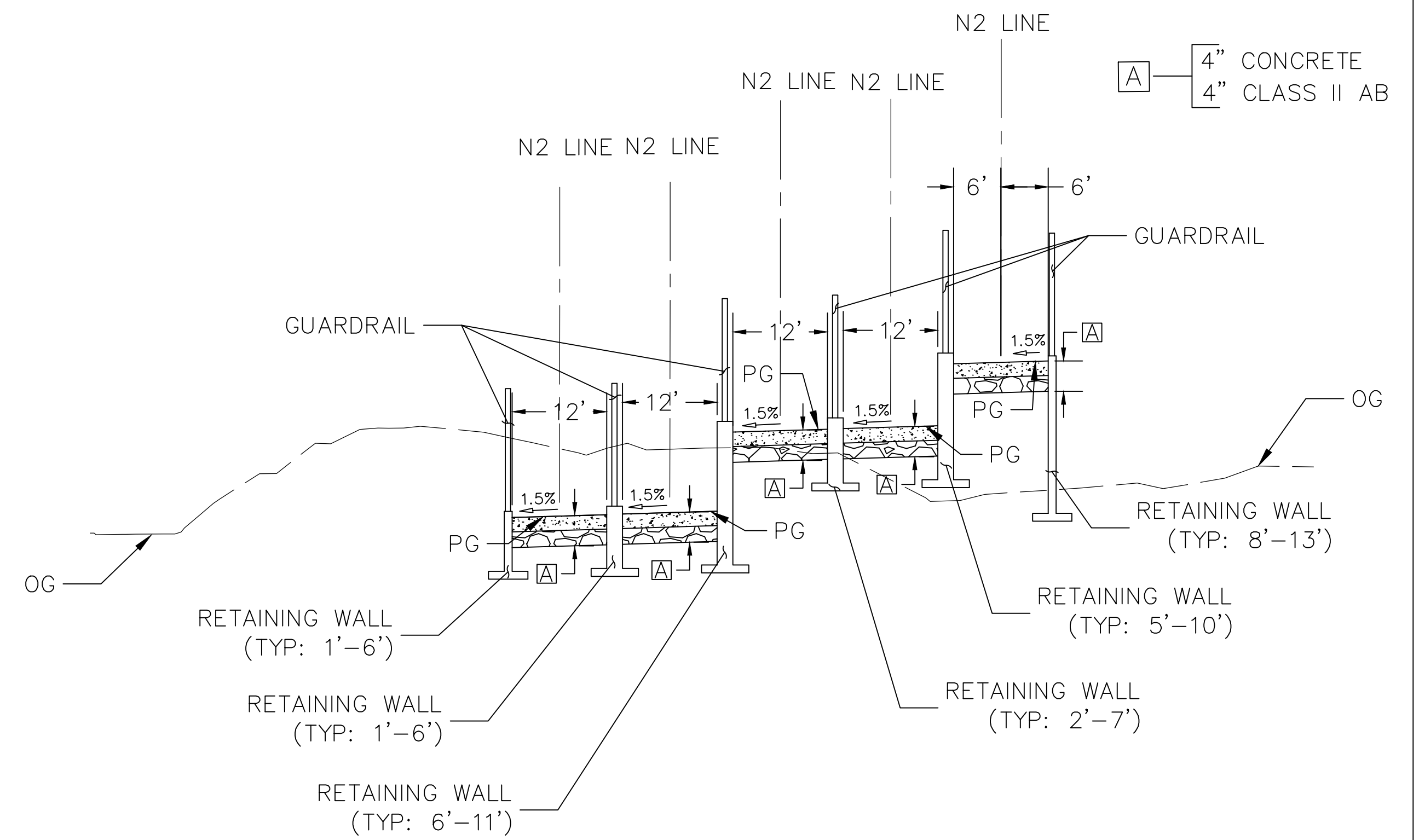




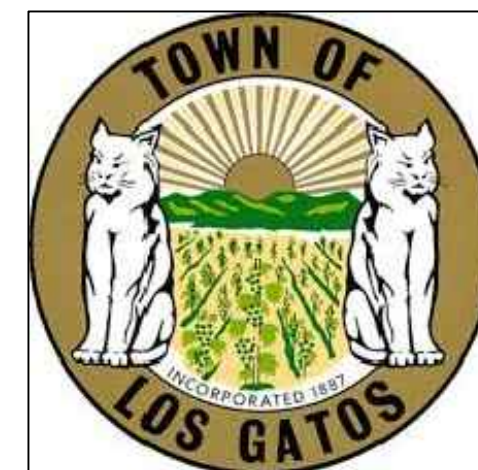
LAYOUT
N2 LINE
SCALE: 1" = 20'



SECTION A-A
N2 LINE



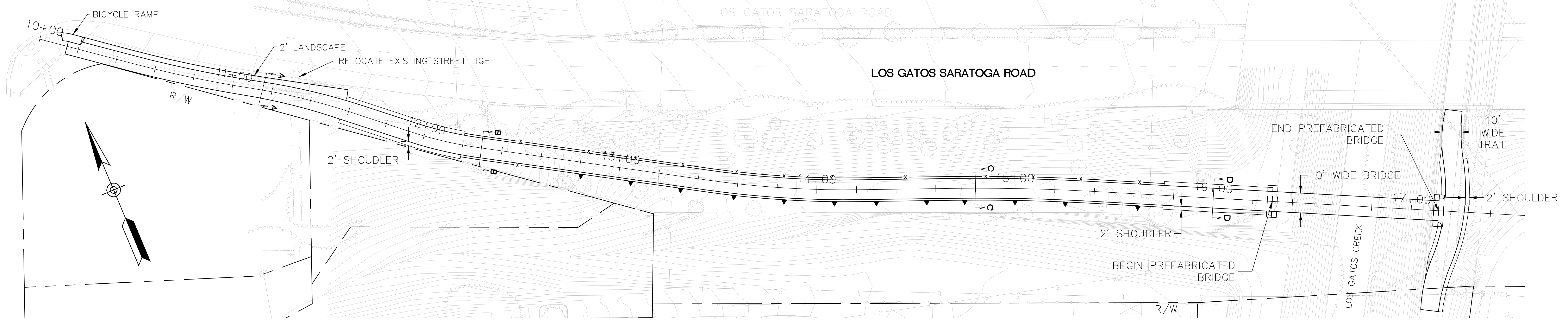
PROFILE
N2 LINE
SCALE: (H)1"=20'; (V)1"=10'



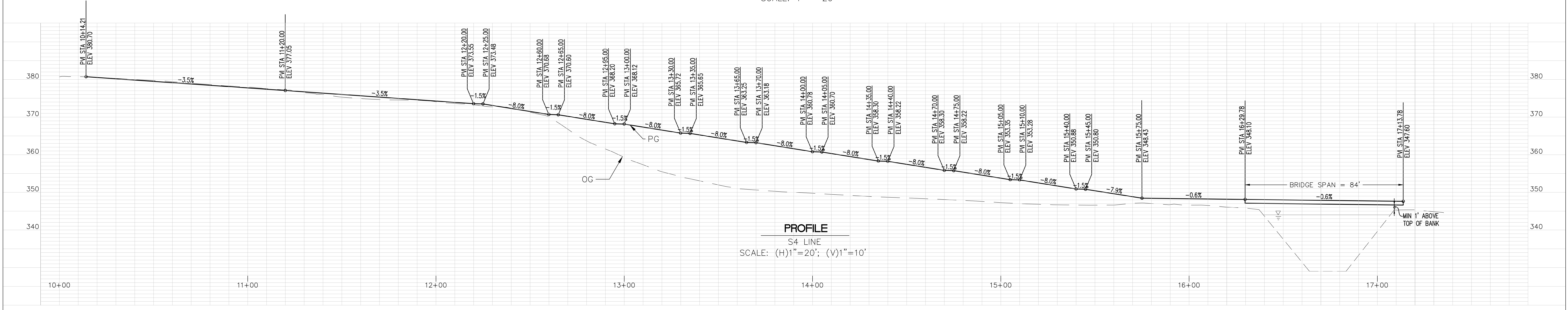
M M
MOTT MACDONALD

TOWN OF LOS GATOS
LOS GATOS CREEK TRAIL HIGHWAY 9 TRAILHEAD PROJECT
NORTH ALIGNMENT

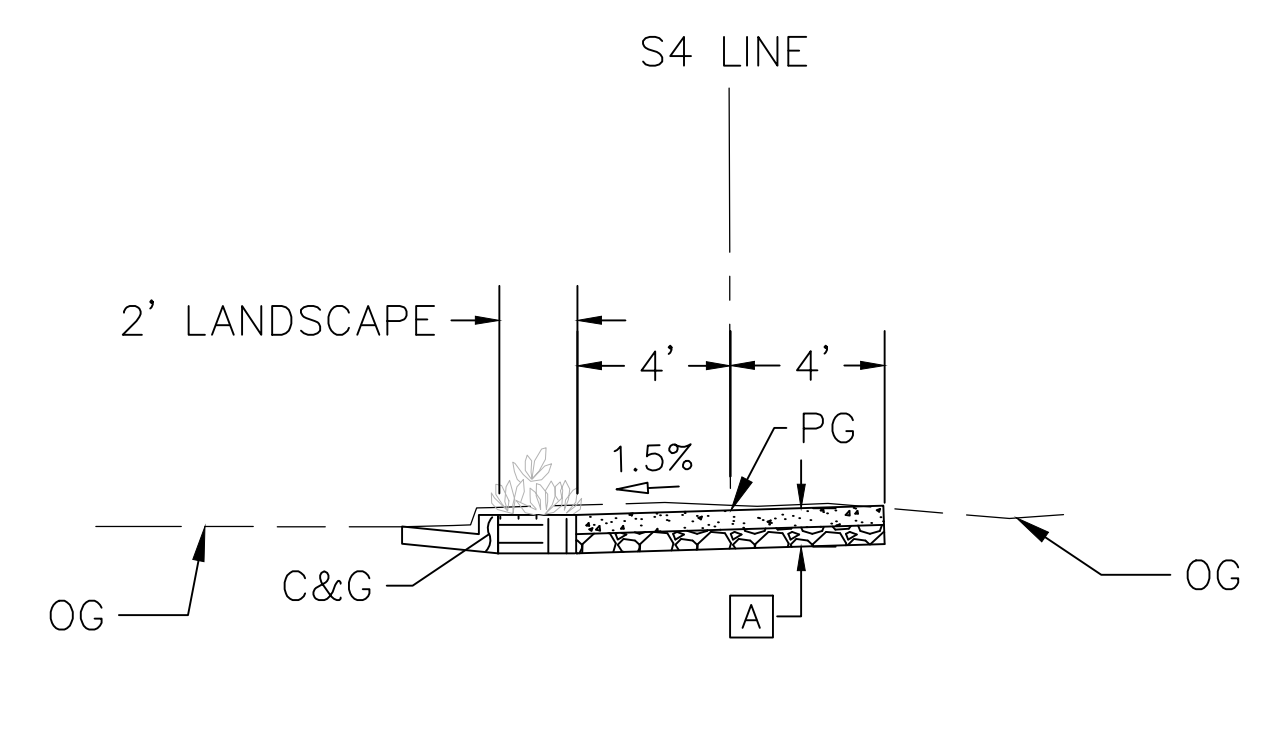
02/04/2020



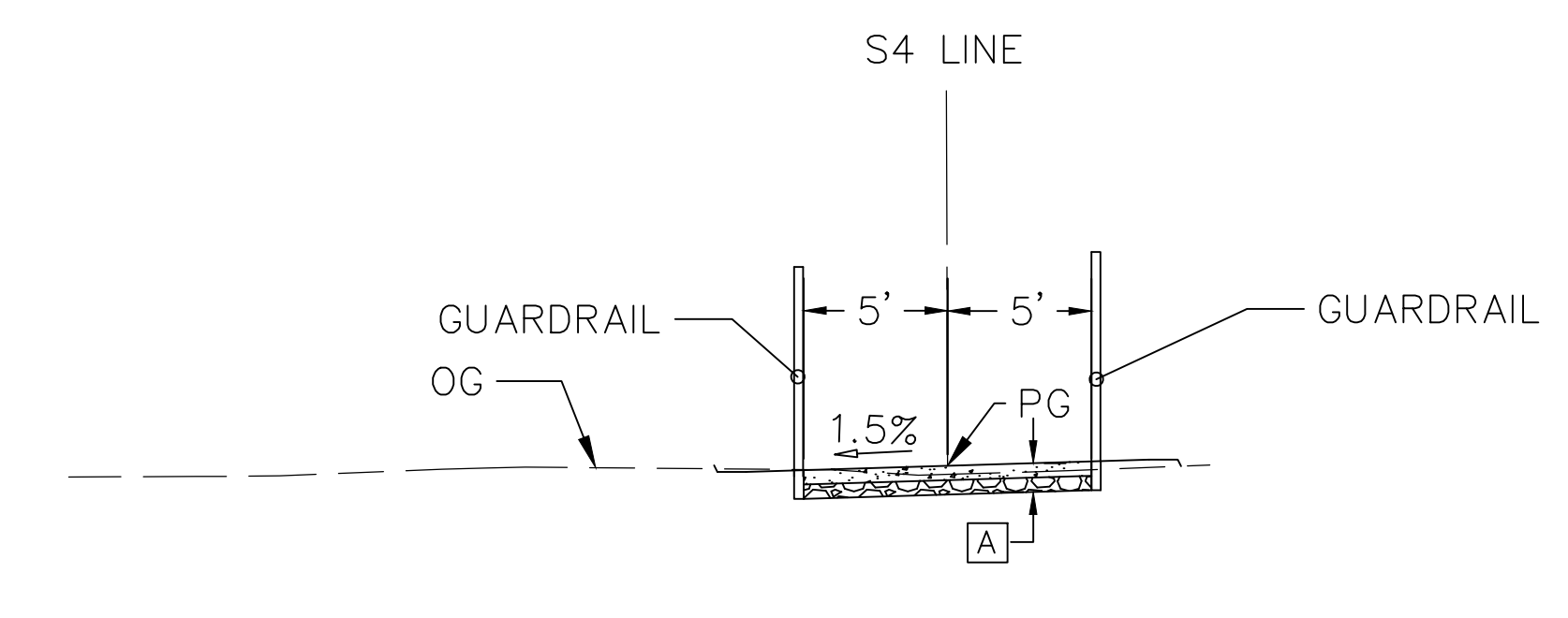
LAYOUT
S4 LINE
SCALE: 1" = 20'



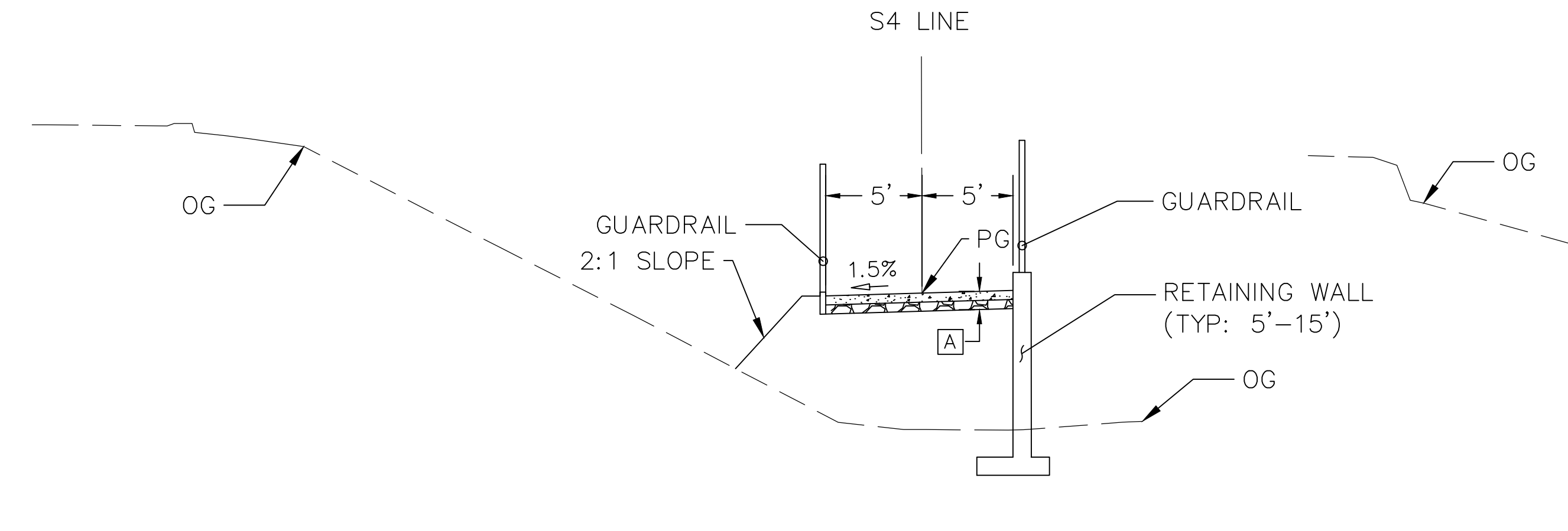
PROFILE
S4 LINE
SCALE: (H)1"=20'; (V)1"=10'



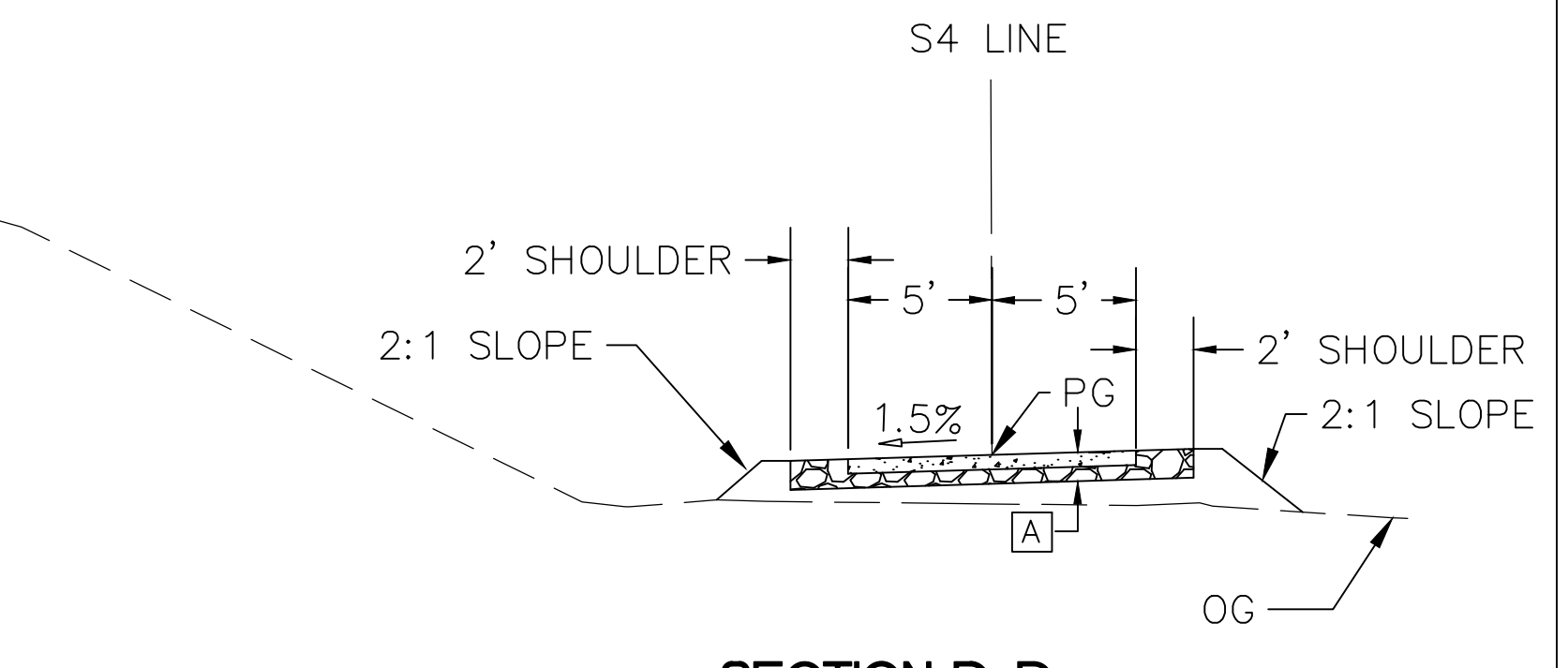
SECTION A-A
S4 LINE



SECTION B-B
S4 LINE

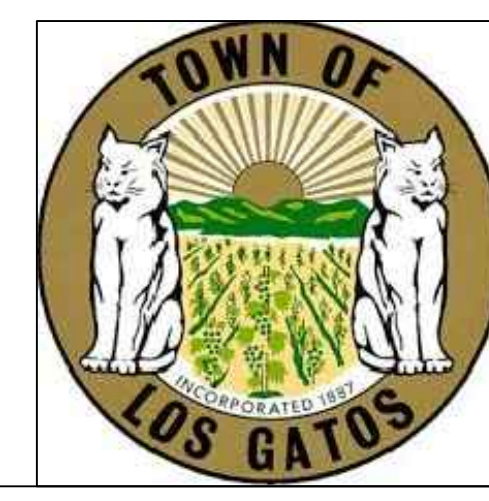


SECTION C-C
S4 LINE



SECTION D-D
S4 LINE

A 4" CONCRETE
4" CLASS II AS



M
MOTT
MACDONALD

TOWN OF LOS GATOS
LOS GATOS CREEK TRAIL HIGHWAY 9 TRAILHEAD PROJECT
SOUTH ALIGNMENT