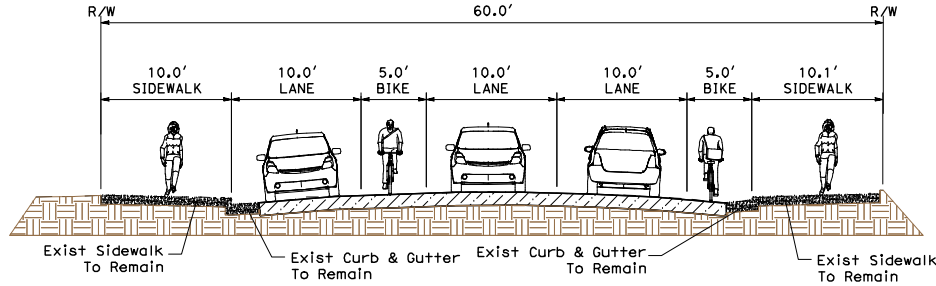
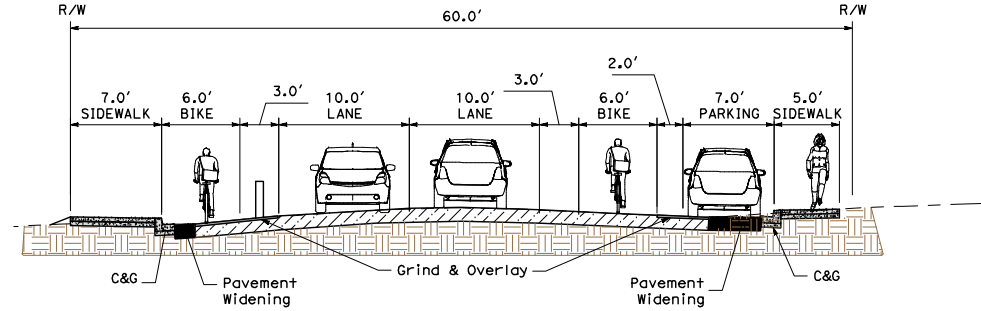


Shannon Road Pedestrian and Bikeway Improvement Project

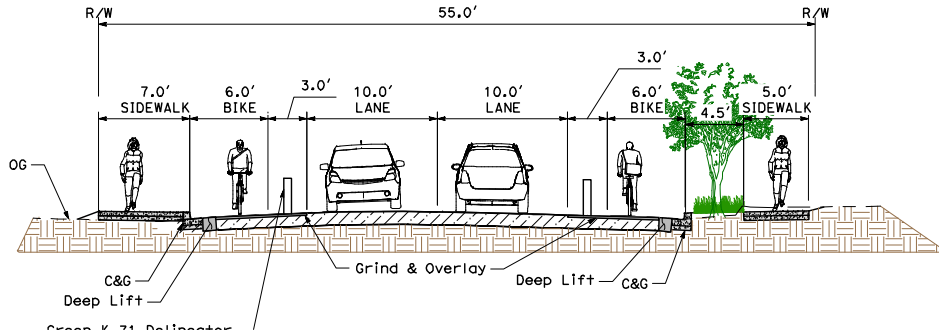
CONCEPT 3: CONVENTIONAL SIDEWALK AND CLASS IV BIKE LANES



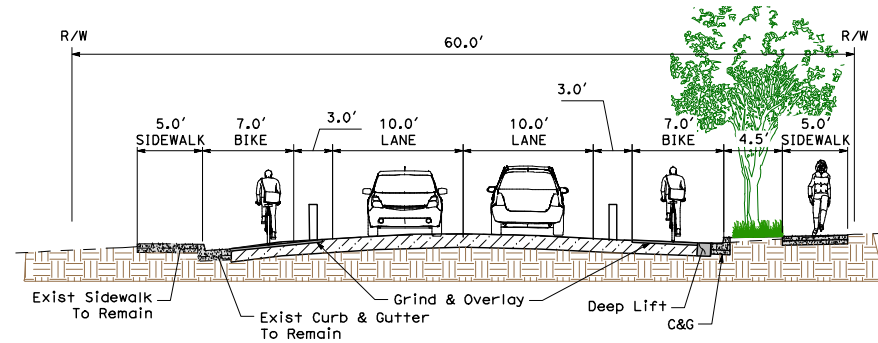
SECTION A-A
SCALE: NO SCALE



SECTION C-C
SCALE: NO SCALE



SECTION B-B
SCALE: NO SCALE



SECTION D-D
SCALE: NO SCALE

